

SharkBite®

PEX Press Poly Swivel Adapters

SharkBite® PEX Press Poly Swivel Adapters provide a secure, flexible transition between threaded connections and PEX piping systems. SharkBite® PEX Press fittings are designed for use with PEX-a and PEX-b tubing and must be installed using approved press tools for fittings designed to ASTM F3347/F3348. SharkBite PEX Press fittings are backed by a 25-year system warranty when installed as part of a SharkBite system.

Applications

Residential and commercial potable water, recirculation, reclaimed water systems, hydronic heating/cooling (up to 50% glycol concentration) and direct burial.

Specifications Data

Materials	
Body	PPSU
Press Sleeve	304 Stainless Steel
Performance	
Max Working Pressure	
80 psi	at 200°F
100 psi	at 180°F
160 psi	at 73.4°F
Compatibility	
Pipe	PEX pipe
Tool	Fittings made to F3347/F3348

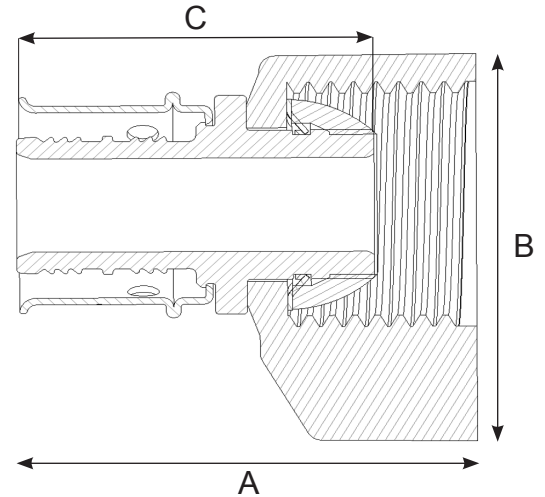
Certifications & Listings

ASTM F3348, ASTM F877, ASTM E84, ASTM E119, CSA B137.5, NSF/ANSI 14, NSF/ANSI/CAN 61, NSF/ANSI/CAN 372, CAN/ULC S102.2, CAN/ULC S101, FSI ≤ 25 / SDI ≤ 50, UL 263

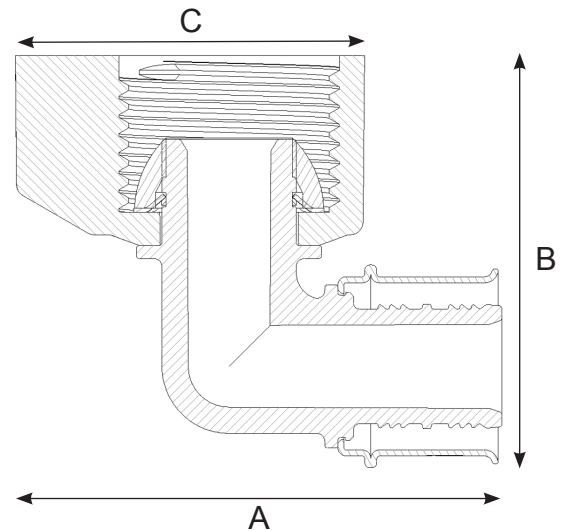
For listing information, please contact Customer Service

Refer to local plumbing code

US 1-877-700-4242 | sharkbite.com
 Canada 1-888-820-0120 | canadasales@rwc.com



Dimensions (inches)				
Part #	Size	A	B	C
UPP526	1/2 in.	1.46	1.42	1.14



Dimensions (inches)				
Part #	Size	A	B	C
UPP532	1/2 in.	1.81	1.57	1.42

Product Submittal	
Name	
Date	
Architect/Owner	
Contractor	
Tag	
Notes	