

SharkBite®

PEX Press Poly Multi-Port Tees

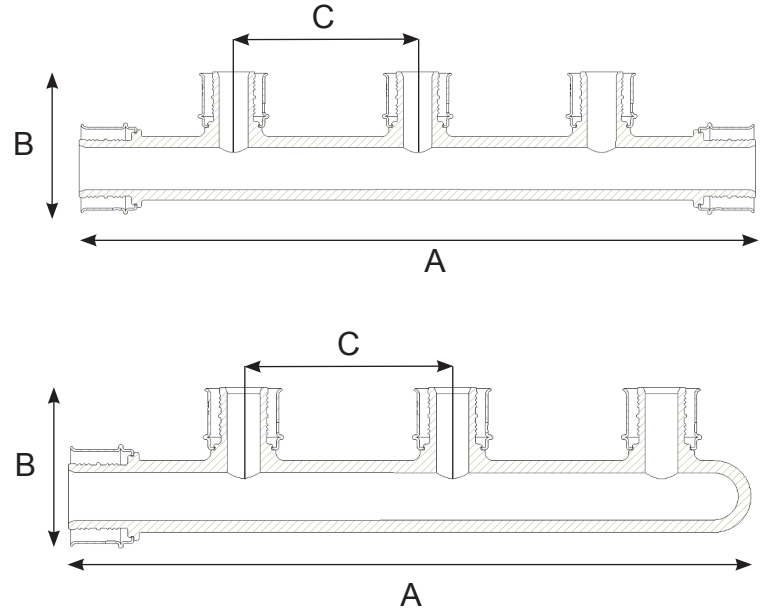
SharkBite® PEX Press Multi-Port Tees are designed to efficiently distribute water to multiple fixtures from a single supply line, making them ideal for use in residential and light commercial plumbing systems. SharkBite® PEX Press fittings are designed for use with PEX-a and PEX-b tubing and must be installed using approved press tools for fittings designed to ASTM F3347/F3348. SharkBite PEX Press fittings are backed by a 25-year system warranty when installed as part of a SharkBite system.

Applications

Residential and commercial potable water, recirculation, reclaimed water systems, hydronic heating/cooling (up to 50% glycol concentration) and direct burial.

Specifications Data

Materials		
Body	PPSU	
Press Sleeve	304 Stainless Steel	
Performance		
Max Working Pressure		
80 psi	at	200°F
100 psi	at	180°F
160 psi	at	73.4°F
Compatibility		
Pipe	PEX pipe	
Tool	Fittings made to F3347/F3348	



Dimensions (inches)					
Part #	Size	A	B	C	
UPP-2PO-757550	2 PORT Open	5.37	1.61	2.01	
UPP-3PO-757550	3 PORT Open	7.38	1.61	2.01	
UPP-3PC-757550	3 PORT Closed	6.20	1.61	2.01	
UPP-4PO-757550	4 PORT Open	9.39	1.61	2.01	
UPP-4PC-757550	4 PORT Closed	8.21	1.61	2.01	
UPP-4PO-107550	4 PORT Open	9.54	1.80	2.01	
UPP-6PO-101050	6 PORT Open	13.72	1.85	2.01	
UPP-6PO-757550	6 PORT Open	13.41	1.61	2.01	

Certifications & Listings

IAPMO IGC 109, ASTM F877, ASTM E84, ASTM E119, CSA B137.5, NSF/ANSI 14, NSF/ANSI/CAN 61, NSF/ANSI/CAN 372, CAN/ULC S102.2, CAN/ULC S101, FSI ≤ 25 / SDI ≤ 50, UL 263

For listing information, please contact Customer Service

Refer to local plumbing code

US 1-877-700-4242 | sharkbite.com
 Canada 1-888-820-0120 | canadasales@rwc.com

Product Submittal	
Name	
Date	
Architect/Owner	
Contractor	
Tag	
Notes	