

SharkBite® Brass PEX Press Swivel Adapter

SharkBite® PEX Press Brass Swivel Adapters provide a secure, flexible transition between threaded connections and PEX piping systems. SharkBite® PEX Press fittings are designed for use with PEX-a and PEX-b tubing and must be installed using approved press tools for fittings designed to ASTM F3347/F3348. SharkBite PEX Press fittings are backed by a 25-year system warranty when installed as part of a SharkBite system.

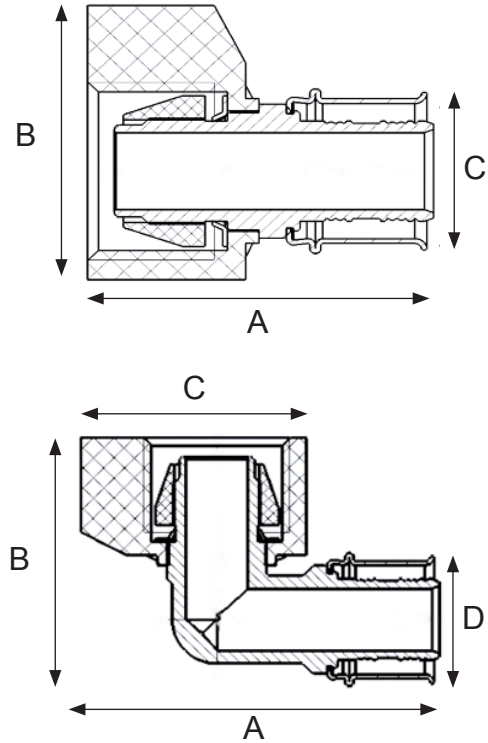
Applications

Residential and commercial potable water, recirculation, reclaimed water systems, hydronic heating/cooling (up to 50% glycol concentration) and direct burial with proper wrapping.

Specifications Data

| Materials | | |
|----------------------|------------------------------|--------|
| Body | Lead Free Silicon Brass | |
| Sleeve | 304 Stainless Steel | |
| Nut | Brass* | |
| Performance | | |
| Max Working Pressure | | |
| 80 psi | at | 200°F |
| 100 psi | at | 180°F |
| 160 psi | at | 73.4°F |
| Compatibility | | |
| Pipe | PEX pipe | |
| Tool | Fittings made to F3347/F3348 | |

*UCP526 uses Nylon nut



| Dimensions (inches) | | | | | | |
|---------------------|-------------------------|------|------|------|------|--|
| Part # | Size | A | B | C | D | |
| UCP526 | 1/2 in. X 1/2 in. | 1.57 | 1.42 | 0.77 | - | |
| UCP534 | 1/2 in. X 3/4 in. | 1.29 | 1.34 | 0.77 | - | |
| UCP530 | 3/4 in. X 3/4 in. | 1.58 | 1.34 | 1.03 | - | |
| UCP529 | 3/4 in. X 1 in. | 1.70 | 1.57 | 1.03 | - | |
| UCP594 | 1 in. X 1 in. | 1.77 | 1.57 | 1.28 | - | |
| UCP532 | 1/2 in. X 1/2 in. Elbow | 1.98 | 1.41 | 1.42 | 0.77 | |

Certifications & Listings

ASTM F3347, ASTM F877, ASTM E84, ASTM E119, CSA B137.5, NSF/ANSI 14, NSF/ANSI/CAN 61, NSF/ANSI/CAN 372, CAN/ULC S102.2, CAN/ULC S101, FSI ≤ 25 / SDI ≤ 50, UL 263

For listing information, please contact Customer Service

| Product Submittal | |
|-------------------|--|
| Name | |
| Date | |
| Architect/Owner | |
| Contractor | |
| Tag | |
| Notes | |