

SharkBite®

Large Diameter (2½ in.–4 in.) Fittings

SharkBite Copper Press Large Diameter fittings (2½ in. –4 in.) are engineered for demanding applications, offering strong mechanical grip through an integrated stainless steel sleeve with internal teeth. Constructed from C12200 copper with factory-installed EPDM seals and a 304 stainless steel grip ring, these fittings deliver consistent, flame-free performance on copper pipe systems.

Applications

Designed for large-scale potable and non-potable systems including commercial water supply, hydronic loops, and mechanical piping. These fittings meet high-performance standards and reduce install time with no flame, solder, or downtime.

Specifications Data

Materials	
Body	Copper (Alloy C12200)
Sealing Element	EPDM (ASTM D2000, NSF/ANSI 61)

Performance	
Working Pressure	200 psi
Max Test Pressure	607 psi
Working Temperature	32°F to 212°F (0°C to 100°C)
Max Temperature	250°F (121°C)
Compatible Pipe	ASTM B88 Copper Pipe (Type K, L, M)
Tool Compatibility	V-Profile Press Tool

Certifications & Listings

ASME B16.51/IAPMO PS 117-2021, NSF/ANSI/CAN 61-2023 (with Errata), NSF/ANSI/CAN 372-2022

California Health & Safety Code: Section 116875

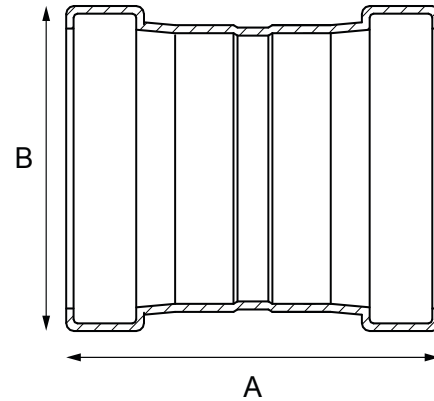
SDWA Lead Law: Section 1417(d), Lead-Free ($\leq 0.05\%$)

cUPC Listed

For listing information, please contact Customer Service

Refer to local plumbing code

US 1-877-700-4242 | sharkbite.com
Canada 1-888-820-0120 | canadasales@rwc.com



Coupling (XL)

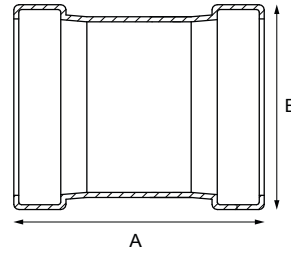
Dimensions (inches)			
Part #	Size	A	B
UPR0167	1/2 in.	3.8	2.6
UPR0179	3/4 in.	4.3	3.1
UPR0105	4 in.	5.1	4.1

Product Submittal	
Name	
Date	
Architect/Owner	
Contractor	
Tag	
Notes	

Coupling No Stop (XL)

Dimensions (Inches)

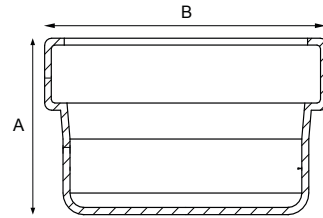
Part #	Size	A	B
UPR0667	2½ in.	3.8	2.6
UPR0679	3 in.	4.3	3.1
UPR0105	4 in.	5.1	5.1



Cap (XL)

Dimensions (Inches)

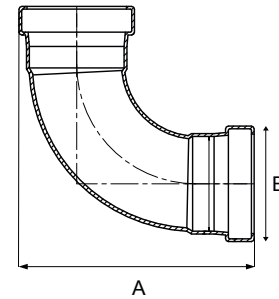
Part #	Size	A	B
UPR0467	2½ in.	1.9	2.6
UPR0479	3 in.	2.2	3.1
UPR04105	4 in.	2.5	4.1



90° Elbow (XL)

Dimensions (Inches)

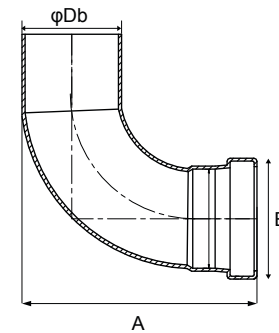
Part #	Size	A	B
UPR0267	2½ in.	6.3	2.6
UPR0279	3 in.	7.2	3.1
UPR02105	4 in.	9.2	4.1



90° Street Elbow (XL)

Dimensions (Inches)

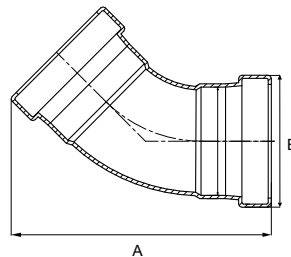
Part #	Size	A	B	φDb
UPR0967	2½ in.	6.2	2.6	2.6
UPR0979	3 in.	7.2	3.1	3.1
UPR09105	4 in.	9.0	4.1	4.1



45° Elbow (XL)

Dimensions (Inches)

Part #	Size	A	B
UPR0567	2½ in.	6.3	2.6
UPR0579	3 in.	7.2	3.1
UPR05105	4 in.	8.9	4.1



Reducer (XL)

Dimensions (Inches)

Part #	Size	A	B
UPR0110579	4 in. x 3 in.	5.1	4.1
UPR017954	3 in. x 2 in.	4.4	3.1
UPR016754	2½ in. x 2 in.	3.9	2.6

