

SharkBite®

Brass PEX Press Supply Stops

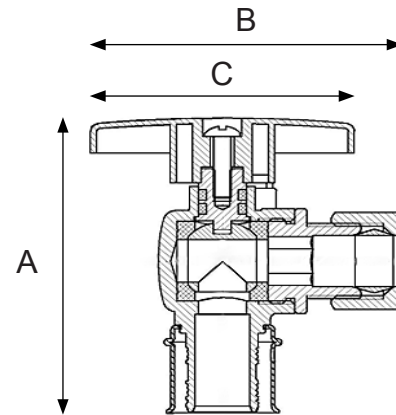
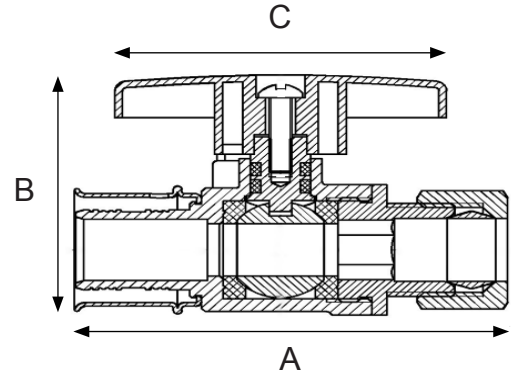
SharkBite® PEX Press Supply Stops provide a fast and secure solution for controlling water flow to fixtures in residential and commercial plumbing systems. With a one-piece design built for speed, these stops make installations quick and simple. Built with durable, lead free brass and stainless steel components, SharkBite® PEX Press Supply Stops are compatible with PEX pipes.

Applications

Designed for controlling water flow to fixtures in residential and commercial potable water systems. Commonly used under sinks and toilets for easy shutoff during maintenance or repairs.

Specifications Data

Materials	
Body	Lead Free Silicon Brass
Sleeve	304 Stainless Steel
Performance	
Max Working Pressure	
Max Pressure	125 psi
Max Temperature	160°F (71°C)
Compatibility	
Pipe	PEX pipe
Tool	Fittings made to F3347/F3348



Dimensions (inches)				
Part #	Size	A	B	C
UCP23057	1/2 in. X 3/8 in. OD Straight	2.22	1.45	1.77
UCP23058	1/2 in. X 3/8 in. OD Angle	2.24	2.07	1.77

Certifications & Listings

ASME A112.18.1/CSA B125.1,
NSF/ANSI/CAN 61, Q ≤ 0.5,
NSF/ANSI/CAN 372

For listing information, please contact Customer Service

Product Submittal	
Name	
Date	
Architect/Owner	
Contractor	
Tag	
Notes	