

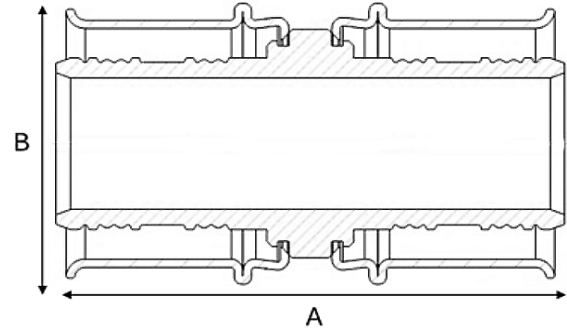
SharkBite®

Brass PEX Press Fittings

SharkBite® PEX Press fittings are designed for use with PEX-a and PEX-b tubing and must be installed using approved press tools for fittings designed to ASTM F3347/F3348. SharkBite PEX Press fittings are backed by a 25-year system warranty when installed as part of a SharkBite system.

Applications

Residential and commercial potable water, recirculation, reclaimed water systems, hydronic heating/cooling (up to 50% glycol concentration) and direct burial with proper wrapping.



Specifications Data

Materials		
Body	Lead Free Silicon Brass	
Sleeve	304 Stainless Steel	
Performance		
Max Working Pressure		
80 psi	at	200°F
100 psi	at	180°F
160 psi	at	73.4°F
Compatibility		
Pipe	PEX pipe	
Tool	Fittings made to F3347/F3348	

Coupling

Dimensions (inches)			
Part #	Size	A	B
UCP008	1/2 in.	1.40	0.77
UCP016	3/4 in.	1.40	1.03
UCP020	1 in.	1.73	1.28
UCP0135	1-1/4 in.	2.45	1.57
UCP0141	1-1/2 in.	2.56	1.82
UCP0154	2 in.	2.94	2.32

Certifications & Listings

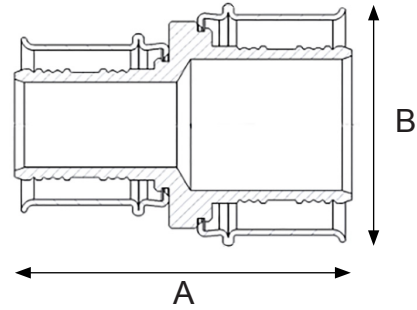
ASTM F3347, ASTM F877, ASTM E84, ASTM E119, CSA B137.5, NSF/ANSI 14, NSF/ANSI/CAN 61, NSF/ANSI/CAN 372, CAN/ULC S102.2, CAN/ULC S101, FSI ≤ 25 / SDI ≤ 50, UL 263

For listing information, please contact Customer Service

Product Submittal	
Name	
Date	
Architect/Owner	
Contractor	
Tag	
Notes	

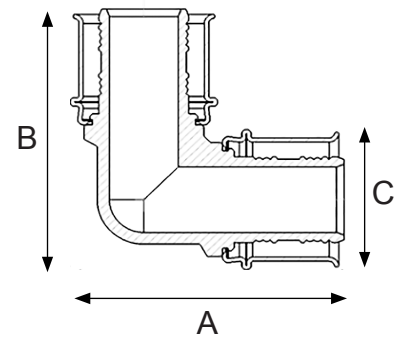
Reducing Coupling

Dimensions (inches)				
Part #	Size	A	B	
UCP058	3/4 in. X 1/2 in.	1.40	1.03	
UCP060	1 in. X 3/4 in.	1.58	1.28	
UCP013528	1-1/4 in. X 1 in.	2.09	1.57	
UCP014128	1-1/2 in. X 1 in.	2.19	1.82	
UCP014135	1-1/2 in. X 1-1/4 in.	2.55	1.82	



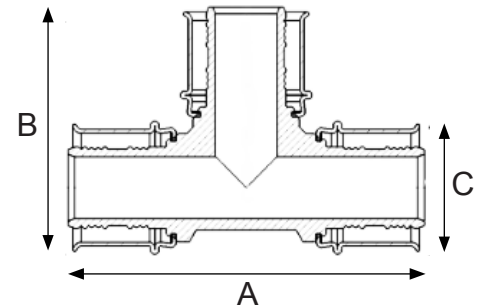
Elbow

Dimensions (inches)					
Part #	Size	A	B	C	
UCP248	1/2 in. X 1/2 in.	1.44	1.44	0.77	
UCP256	3/4 in. X 3/4 in.	1.67	1.67	1.03	
UCP260	1 in. X 1 in.	2.09	2.09	1.28	
UCP0235	1-1/4 in. X 1-1/4 in.	2.74	2.74	1.57	
UCP0241	1-1/2 in. X 1-1/2 in.	2.99	2.99	1.82	
UCP0254	2 in. X 2 in.	3.65	3.65	2.32	



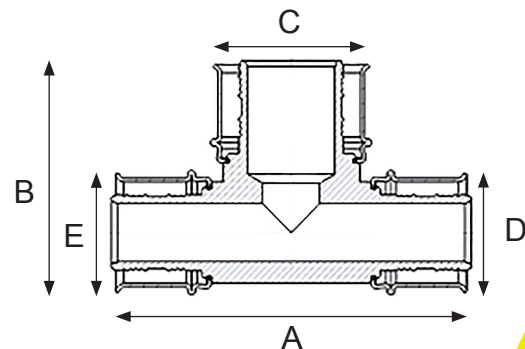
Tee

Dimensions (inches)					
Part #	Size	A	B	C	
UCP362	1/2 in. X 1/2 in. X 1/2 in.	2.11	2.62	0.77	
UCP370	3/4 in. X 3/4 in. X 3/4 in.	2.30	2.62	1.03	
UCP374	1 in. X 1 in. X 1 in.	2.91	2.62	1.28	
UCP0835	1-1/4 in. X 1-1/4 in. X 1-1/4 in.	3.91	2.62	1.57	
UCP0841	1-1/2 in. X 1-1/2 in. X 1-1/2 in.	4.15	2.62	1.82	
UCP0854	2 in. X 2 in. X 2 in.	4.97	2.62	2.32	



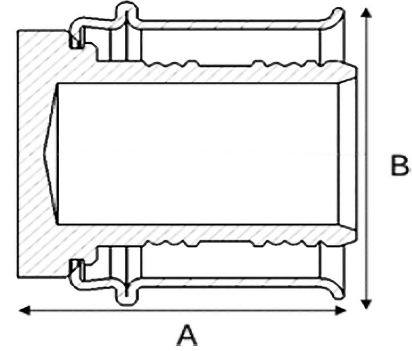
Reducing Tee

Dimensions (inches)							
Part #	Size	A	B	C	D	E	
UCP454	3/4 in. X 1/2 in. X 1/2 in.	2.17	1.69	0.77	0.77	1.03	
UCP444	3/4 in. X 1/2 in. X 3/4 in.	2.30	1.67	1.03	0.77	1.03	
UCP412	3/4 in. X 3/4 in. X 1/2 in.	2.15	1.67	0.77	1.03	1.03	
UCP408	1/2 in. X 1/2 in. X 3/4 in.	2.30	1.46	1.03	0.77	0.77	
UCP414	1 in. X 3/4 in. X 3/4 in.	2.49	1.95	1.03	1.03	1.28	
UCP415	1 in. X 1 in. X 1/2 in.	2.44	1.95	0.77	1.28	1.28	
UCP08414128	1-1/2 in. X 1-1/2 in. X 1 in.	3.68	2.62	1.28	1.82	1.82	



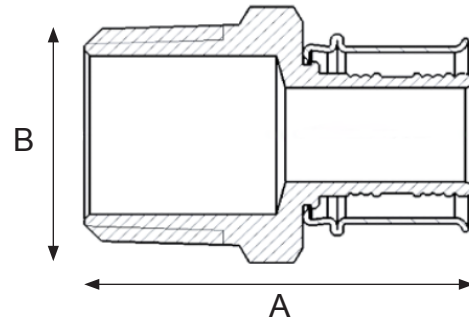
Plug

Dimensions (inches)			
Part #	Size	A	B
UCP514	1/2 in.	0.76	0.77
UCP518	3/4 in.	0.76	1.03
UCP520	1 in.	0.98	1.28
UCP0435	1-1/4 in.	1.28	1.57
UCP0441	1-1/2 in.	1.41	1.82
UCP0454	2 in.	1.66	2.32



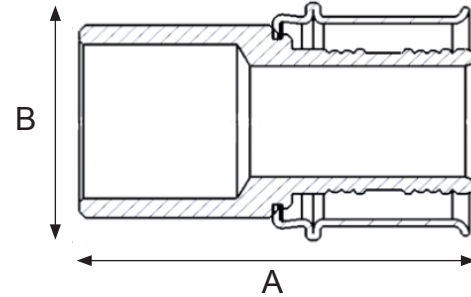
Male Adapter

Dimensions (inches)			
Part #	Size	A	B
UCPI20	1/2 in. X 1/2 in.	1.45	0.87
UCPI16	1/2 in. X 3/4 in.	1.59	1.06
UCPI34	3/4 in. X 3/4 in.	1.59	1.06
UCPI39	3/4 in. X 1 in.	1.69	1.34
UCPI40	1 in. X 1 in.	1.83	1.34
UCPI13532M	1-1/4 in. X 1-1/4 in.	2.25	1.69
UCPI14140M	1-1/2 in. X 1-1/2 in.	2.29	1.97
UCPI15450M	2 in. X 2 in.	2.54	2.44
UCPI42	1 in. X 3/4 in.	1.73	1.14



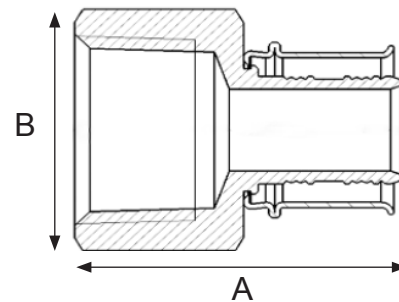
Male Sweat Adapter

Dimensions (inches)			
Part #	Size	A	B
UCP607	1/2 in. X 1/2 in.	1.24	0.77
UCP608	3/4 in. X 3/4 in.	1.47	1.03
UCP609	1 in. X 1 in.	1.77	1.28
UCPI43535M	1-1/4 in. X 1-1/4 in.	2.20	1.57
UCPI44141M	1-1/2 in. X 1-1/2 in.	2.32	1.82
UCPI45454M	2 in. X 2 in.	2.89	2.32



Female Adapter

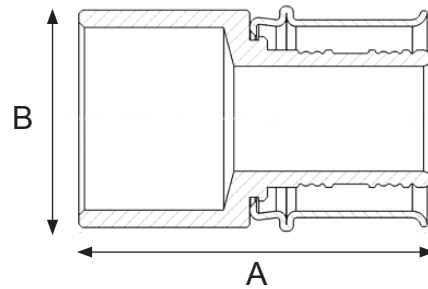
Dimensions (inches)			
Part #	Size	A	B
UCP072	1/2 in. X 1/2 in.	1.33	0.94
UCP088	3/4 in. X 3/4 in.	1.33	1.20
UCP094	1 in. X 1 in.	1.53	1.50
UCPI13532	1-1/4 in. X 1-1/4 in.	1.99	1.89
UCPI14140	1-1/2 in. X 1-1/2 in.	2.00	2.17
UCPI15450	2 in. X 2 in.	2.19	2.56
UCP068	1/2 in. X 3/4 in.	1.33	1.20
UCP098	1 in. X 3/4 in.	1.47	1.20



Female Sweat Adapter

Dimensions (Inches)

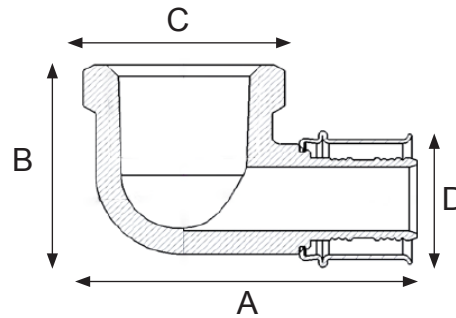
Part #	Size	A	B
UCP600	1/2 in. X 1/2 in.	1.22	0.77
UCP606	3/4 in. X 3/4 in.	1.53	1.03
UCP605	1 in. X 1 in.	1.83	1.28
UCP143535	1-1/4 in. X 1-1/4 in.	2.33	1.57
UCP144141	1-1/2 in. X 1-1/2 in.	2.43	1.82
UCP145454	2 in. X 2 in.	2.80	2.32



Female Adapter Elbow

Dimensions (Inches)

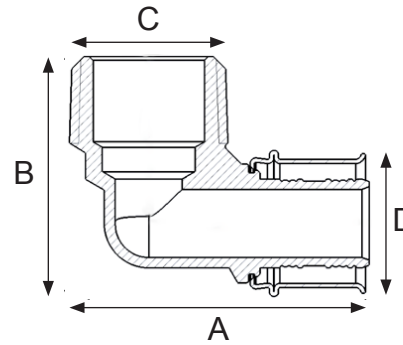
Part #	Size	A	B	C	D
UCP308	1/2 in. X 1/2 in.	1.76	1.15	0.98	0.77
UCP314	3/4 in. X 3/4 in.	2.06	1.50	1.22	1.03



Male Adapter Elbow

Dimensions (Inches)

Part #	Size	A	B	C	D
UCP280	1/2 in. X 1/2 in.	1.67	1.27	0.50	0.77



Female Drop Ear Elbow

Dimensions (Inches)

Part #	Size	A	B
UCP334	1/2 in. X 1/2 in.	2.30	1.22
UCP340	3/4 in. X 3/4 in.	2.57	1.50

