



EB25 Double Union SharkBite® Pressure Regulator

DESCRIPTION

The Double Union SharkBite® EB25 (EB25-DUSB) from Cash Acme® combines state-of-the-art water control technology with the convenience of SharkBite® Push-To-Connect (PTC) fittings. The SharkBite EB- 25 features union SharkBite connections in ¾" and 1" sizes. Connect the SharkBite pressure regulating valve to copper tubing, and CTS, CPVC, and PEX in seconds with ease.

The EB25 has a convenient orange pressure adjustment twist-cap, and numerical indicator which makes installation a quick, one-man job. The unique design also eliminates the water whistle or hum associated with most PRVs, due to innovative "micro-fingers" that dissipate noise as water flows across the seat. And thanks to a patented single-cartridge design, this valve has fewer parts for increased reliability, and it can be serviced without having to remove the valve body.

While pressure reduction is an everyday need necessary to protect appliances and plumbing fixtures, the advanced water control technology of the EB25 provides unique new benefits to this common application. The biggest breakthrough is the simple numerical indicator that allows the exact desired pressure to be set even before the valve is installed. Once installed, patented design features mean the EB25 offers improved reliability and easier access for maintenance.

The EB25-DUSB is lead free* and intended for use where supply line pressure does not exceed 200 psi. These valves are supplied by the factory with a standard delivery setting of 45 psi. The outlet pressure can be adjusted from 20-90 psi without changing the spring. The EB25 is suited for either cold or hot (to 180°F) water service.



FEATURES AND BENEFITS

Instant push-to-connect connection for increased ease of use:

No soldering, glue or tools required.

Convenient orange twist-cap eliminates need for wrench adjustment, numerical indicator shows the pressure without the need for a gauge:

One person can install, saving money and time!

Single piece cartridges can be removed with valve body remaining in place:

Service all the parts quicker and easier!

Integral backpass check with the cartridge:

No add-ons or small parts, longer life and more reliable performance.

Cutting edge design and production incorporates "micro-fingers" that dissipate noise due to water flow across the seat:

Meets the latest stringent international standards, quieter installation.

Available with a blanking cap for "rough-in" installations:

No more dummy valve necessary.

Optional closing cap for direct burial applications:

Protects the cartridge from external elements.

Assembled and tested in the USA:

Prepared in our manufacturing plant in Cullman, Alabama.



SPECIFICATIONS

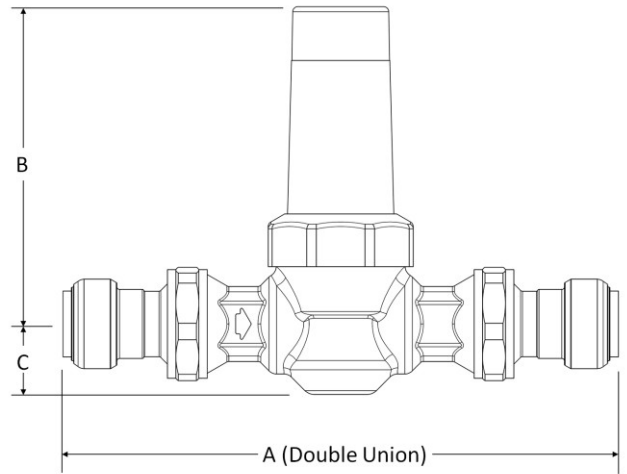
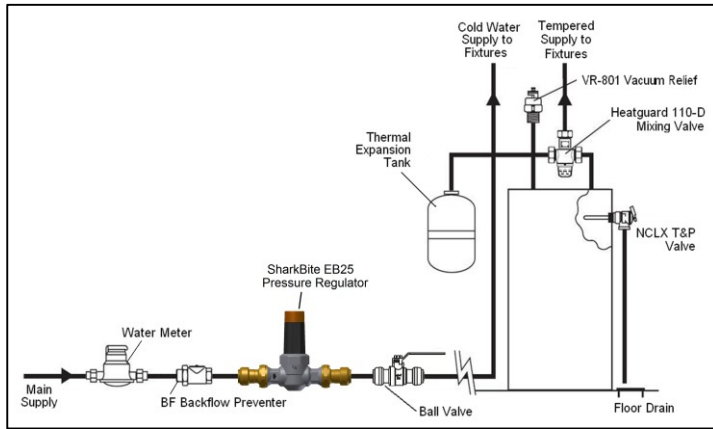
A pressure regulating valve shall be installed to reduce high supplies of incoming water pressure. The valve shall be of a single piece cartridge with a pre-set numerical indicator and micro-fingers for noise dissipation. The valve shall be a Cash Acme EB25 Double Union SharkBite Pressure Regulator.



EB25 Double Union SharkBite® Pressure Regulator

TYPICAL INSTALLATION

The Cash Acme EB25 comes supplied with a pre-adjusted pressure set at the factory. Any adjustment to this pressure is easily accomplished by lifting the orange adjustment cap and twisting. The orange adjustment cap can be rotated counter clockwise to decrease pressure and clockwise to increase the pressure. The changes in pressure setting will be visible on the numeric indicator. All pressure adjustments can be made before or after the installation with great ease.



SPECIFICATION DATA

Performance:

Outlet pressure range.....20-90 psi
 Maximum temperature..... 180°F
 Maximum inlet pressure.....200 psi
 Service.....Water

Materials:

Body.....Stainless Steel
 O-Ring.....EPDM
 Grab Ring.....Stainless steel
 Tube Support Liner.....Polysulfone
 Spring Chamber.....Nylon
 Adjusting Spring.....Steel (zinc plated)
 Pressure Plate.....Steel (zinc plated)
 Diaphragm.....EPDM
 Body Seat.....Polysulfone
 Seat Disc.....EPDM
 Piston.....Stainless Steel
 Strainer Screen.....Stainless Steel

DIMENSIONS (Inches)

Size	Connection Style	A Double Union	B	C
3/4"	Sharkbite	8.43"	4.92"	1.06"
1"	Sharkbite	9.34"		

WATER CAPACITY (gpm)

Pipe Size	P ₂ Variation (PSI)	Differential Pressure (P ₁ -P ₂) PSI			
		10	25	50	100+
3/4" & 1"	5	4.4	5.4	5.4	6.0
	10	11.9	12.3	13.0	11.5
	15	19.3	19.4	20.7	19.8
	20	24.7	26.2	26.0	26.0

CERTIFICATIONS

Cash Acme Type EB25 Pressure Regulators are certified to ASSE 1003 and CSA B356 and are listed by ASSE and IAPMO (cUPC). The SharkBite PTC fittings have been design certified and listed to ASSE 1061 NSF/ANSI 61, listed by IAPMO, and are certified for potable water distribution. The EB25 Pressure Regulator is compliant with NSF 372.

*For all models, surfaces that are in contact with consumable water contain less than 0.25% lead by weight.

