



SharkBite

Shock Arrestors

The SharkBite 3/8 in. F x 3/8 in. compression water shock arrestor is a compact, easy-to-install solution designed to protect plumbing systems from water hammer. It's ideal for both professionals and DIY enthusiasts looking for a quick fix to prevent hydraulic shocks and potential pipe damage. Easily installs inline on a stop valve.

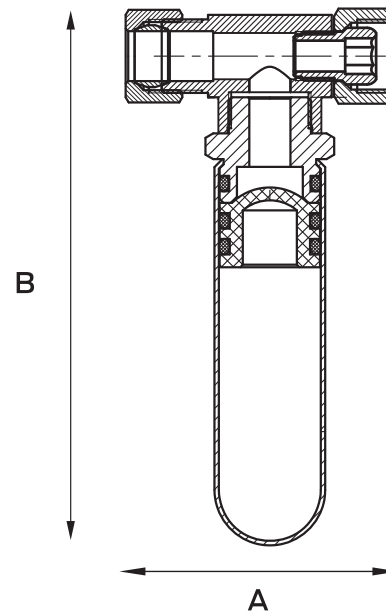
Applications

Perfect for residential and commercial settings, this arrestor fits appliances and fixtures prone to water hammer, such as faucets and sinks, enhancing the longevity and reliability of plumbing installations.

Specification Data

| Materials | |
|------------------------|---------------------|
| Body, Fitting, Ferrule | Lead-Free DZR Brass |
| O-ring | EPDM |
| Hammer Arrestor | 304 Stainless Steel |

| Performance | |
|------------------------|---------------|
| Max Working Conditions | |
| Max Pressure | 250 psi |
| Max Temperature | 250°F (121°C) |



| Dimensions (inches) | | | |
|---------------------|------|-----|-----|
| Part # | Size | A | B |
| WHASV14 | 1/4" | 1.8 | 4.0 |
| WHASV38Z | 3/8" | 2.0 | 4.1 |

Certifications & Listings

Shock arrestor - ASSE 1010, NSF/ANSI/CAN 61, NSF/ANSI/CAN 372, cUPC

Compression fitting compatible with SAE J512

For listing information, please contact Customer Service

| Product Submittal | |
|-------------------|--|
| Name | |
| Date | |
| Architect/Owner | |
| Contractor | |
| Tag | |
| Notes | |

