

# SharkBite Max™

## Pressure Gauge

SharkBite Max™ allows users to connect pipe with ease - no tools needed. This new design features a stainless steel retainer for extra strength, and a lower insertion effort than previous versions of SharkBite Brass Push-to-Connect fittings. SharkBite Max fittings do not require a PEX stiffener and are compatible with PEX, copper, CPVC, PE-RT and HDPE\*.

### Applications

Residential and commercial potable water, recirculation, hydronic heating/cooling (up to 50% glycol concentration) and direct burial (wrapping required).

### Specification Data

#### Materials

Body	Lead-Free DZR Brass
O-ring	EPDM
Steel Retainer	304 Stainless Steel
Grab Ring	316 Stainless Steel

#### Pipe Insertion Depth

Fitting Size	Insertion Depth
1/2"	1.00 in.
3/4"	1.25 in.

#### Performance

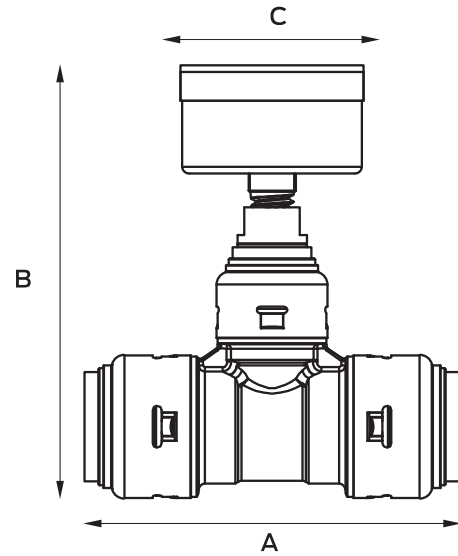
Max Working Pressure	
Max Pressure	150 psi
Max Temperature	150°F (65°C)

### Certifications & Listings

ASSE 1061, CSA B125.3, NSF/ANSI 14.  
NSF/ANSI/CAN 61, NSF/ANSI/CAN 372,

For listing information, please contact Customer Service

\* HDPE installations must use a tube stiffener. Sold separately by HDPE manufacturer.



#### Dimensions (inches)

Part #	Size	A	B	C
UR24438	3/4"	3.4	3.9	1.7

#### Product Submittal

Name	
Date	
Architect/Owner	
Contractor	
Tag	
Notes	