



# SharkBite EvoPEX™ End Cap

SharkBite™ EvoPEX fittings are designed for use with PEX and PE-RT tubing and are engineered as a more efficient alternative to tool-based pipe joining methods. Made in the USA, SharkBite EvoPEX fittings have a 25-year system warranty when used with SharkBite PEX tubing. SharkBite EvoPEX fittings are permanent connections, can be rotated after assembly and have a green indicator ring that confirms the proper tubing installation depth.

## Approved Applications

Residential and commercial potable water, recirculation, hydronic heating/cooling (up to 100% glycol concentration) and direct burial.

## Specification Data

Materials		
Body	Modified PPSU	
Collet	Glass Reinforced Nylon	
Grab Ring	SST 316	
Spacer Ring	Acetal Copolymer	
Collet Retainer	1/2"	Glass Reinforced Nylon
	3/4" & 1"	SST 304
Protection Ring	1/2"	Acetal Copolymer
	3/4" & 1"	Glass Reinforced Nylon
Radial Seal	EPDM	

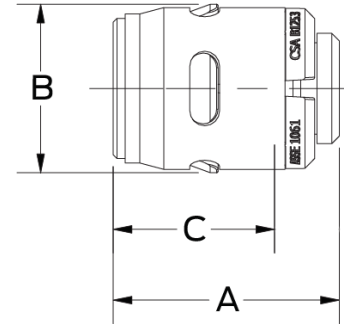
Pipe Insertion Depth		Performance		
Fitting Size	Insertion Depth	Max Working Pressure		
1/2 in.	0.83 in.	80 psi	at	200°F
3/4 in.	0.94 in.	100 psi	at	180°F
1 in.	1.10 in.	160 psi	at	73.4°F

## Certifications & Listings

ASSE 1061, CSA B137.5, ASTM F877, NSF/ANSI 14, NSF/ANSI/CAN 61, NSF/ANSI/CAN 372, ASTM E84, CAN/ULC S102.2, ASTM E119, CAN/ULC S101



Flame Spread Rating ≤ 25, Smoke Developed Rating ≤ 50 (FSI ≤ 25 / SDI ≤ 50)



Dimensions (inches)				
Part Number	Size	A	B	C
K514	1/2"	1.19	0.89	0.83
K518	3/4"	1.32	1.16	0.94
K520	1"	1.53	1.46	1.10

Fitting Type	Wrap Required	
	Direct Burial	Embedded in Concrete
EvoPEX Fitting with Brass Bodies	Yes	Yes
EvoPEX Fitting without Brass Bodies	No	Yes

For more information about EvoPEX fittings, including application of wrap, please visit [SharkBite.com](http://SharkBite.com)

Product Submittal	
Name	
Date	
Architect/Owner	
Contractor	
Tag	
Notes	