

SharkBite Brass Elbow

Connect two pieces of PEX-A pipe together at a 90-degree angle.

Features and Benefits

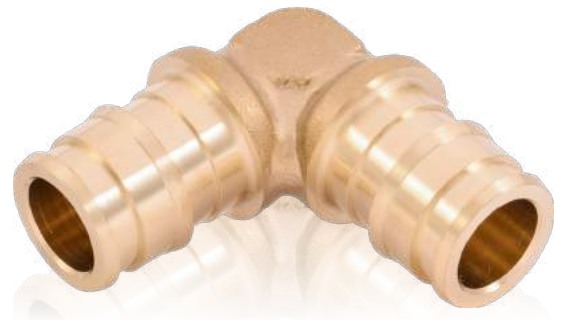
- Made from high performance DZR LF Brass
- Connects to PEX-A pipe with expansions rings
- Corrosion resistant material
- No missed connections as expansion fittings cannot be dry-fit

Applications

- Potable water and radiant heating

Specifications

SharkBite expansion fittings shall be installed on SharkBite PEX-A complying with ASTM F876 or CSA B137.5. The fittings shall be made of Engineered Polymer or DZR lead-free Brass and be compliant with ASTM F1960. The fittings shall be used in a potable water or radiant heating/cooling system not to exceed 80 psi @ 200°F, 100 psi @ 180°F, or 160 psi @ 73.4°F.



#UAB248

Specification Data

Technical Data

Minimum working temperature 33°F to 73°F at 160 psi
180°F at 100 psi

Maximum working temperature 200°F at 80 psi

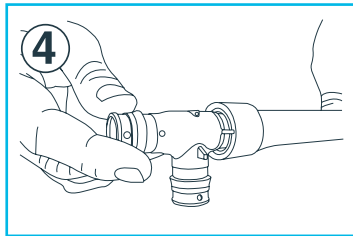
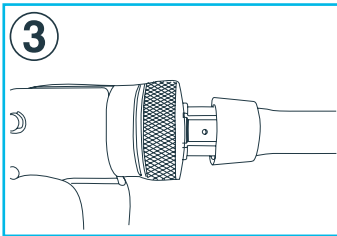
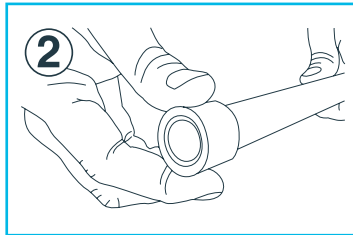
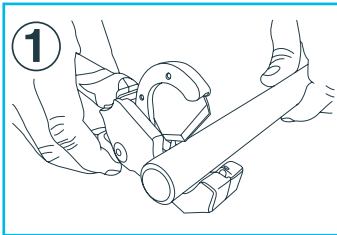
Material

1 Body Lead Free DZR Brass¹

¹ Lead Free for all models, surfaces that are in contact with consumable water contain less than 0.25% lead by weight

Installation Requirements

How to install SharkBite Expansion Fittings products.



- 1 Use pipe cutters to make a square cut of the pipe to length. A rough or uneven cut can result in a weakened joint.
- 2 Slide your expansion ring over the PEX tubing until it overhangs the end of the tubing by no more than 1/8" or until the stop on the ring (if present) touches the tubing.
- 3 Using an approved manual or cordless expansion tool, insert the tool into the PEX pipe and expand the pipe.
*Note that each pipe size requires the specific expander head, so ensure it is the correct size prior to beginning. The number of expansions will be dictated by the tubing size.
 - 6 expansions for 1/2 in.
 - 8 expansions for 3/4 in.
 - 5 expansions for 1 in.

It is important to make sure the expander head rotates after each expansion to prevent ridges on the inside of the tubing.
- 4 Once the tubing is expanded, insert the fitting until it hits the shoulder and allow the PEX to contract around the fitting until secure. After several seconds the tubing will secure around the fitting, and your connection is made and ready for use.

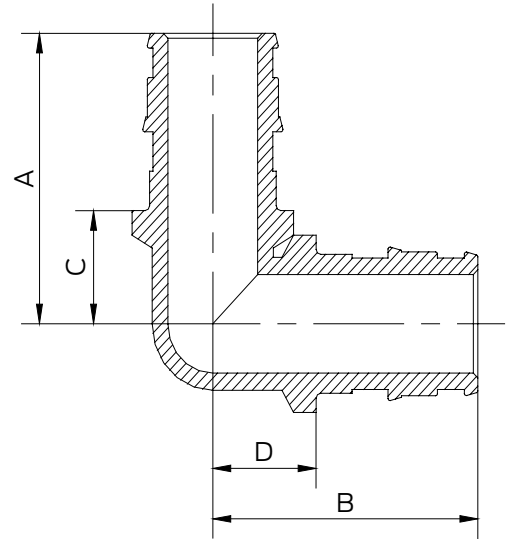
Pipe Type

Compatible with PEX-A pipe

Wrapping for Direct Burial

Wrapping required for burial

US 1 877 700 4242 | sales@sharkbite.com | sharkbite.com
Canada 1 888 820 0120 | canadasales@rwc.com



#UAB248

Dimensions

Description	Part #	A	B	C	D
1/2"	UAB248	1.16	1.16	0.45	0.45
3/4"	UAB256	1.51	1.51	0.57	0.57
1/2" x 3/4"	UAB274	1.39	1.27	0.57	0.45

All measurements are displayed in inches

Insertion Depth

Fitting Size	Nominal Pipe Size	Insertion Depth (in)
1/2 in.	1/2 in.	0.72
3/4 in.	3/4 in.	0.97
1 in.	1 in.	1.19

Minimum Distance Between Fittings

1/2 in. fittings and pipe 2-1/2 in. space
3/4 in. fittings and pipe 3-1/2 in. space
1 in. fittings and pipe 4-1/2 in. space

Codes and Standards

ASTM F1960

NSF/ANSI/CAN 372

ASTM F877

ASTM E84

CSA B137.5

CAN/ULC S102.2

NSF/ANSI 14

ASTM E119

NSF/ANSI/CAN 61

CAN/ULC S101



C