

SharkBite™ Frost-Free Sillcock

SharkBite Brass Crimp frost-free sillcocks are outdoor hose faucets for use in residential or commercial applications. The shut-off is located at the inlet of the sillcock to help resist water freezing in the valve. Sillcocks are equipped with an integrated vacuum breaker to prevent back siphonage, an integrated check valve to prevent backflow and a mounting flange to secure the valve.

Features and Benefits

- Barbed Connections: Compatible with PEX and PE-RT tubing
- Integrated Vacuum Breaker: Provides back siphonage protection
- Integrated Check Valve: Provides backflow protection
- Valve seat located near inlet connection: Provides freeze resistance
- Built-in mounting flange and included siding wedge: Ease of mounting and ensures proper mounting angle for draining
- Chrome Plated Body Construction: Sleek chrome finish for attractive appearance
- Available Backflow & Stem Repair Kits: Enables serviceability

Applications

- Potable Water Service

Specification

A frost-free sillcock shall be installed on the outside of the dwelling to supply water to a garden hose, sprinkler system, or any other applicable system that requires a water supply. The sillcock shall be equipped with an integrated anti-siphon vacuum breaker that prevents back-siphonage, an integrated check valve to prevent backflow, and a seat disc located at the end of the valve stem to help prevent freezing. The sillcock shall be constructed with a lead-free DZR brass tube, and the inlet connection shall be a PEX barbed type connection that complies with ASTM F1807 standard requirements. The sillcock shall be certified to ASSE 1019, ASME A112.18.1, and CSA B125.1 standards and shall be listed by a third party. The valve shall be a SharkBite PEX Frost-Free Sillcock.



Specification Data



Performance

Maximum Working Pressure	125 psi
Maximum Working Temperature	140° F
Minimum Working Temperature	33° F

Materials

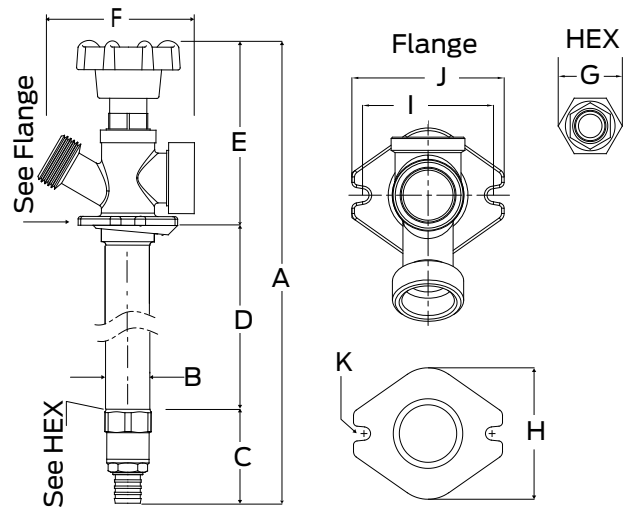
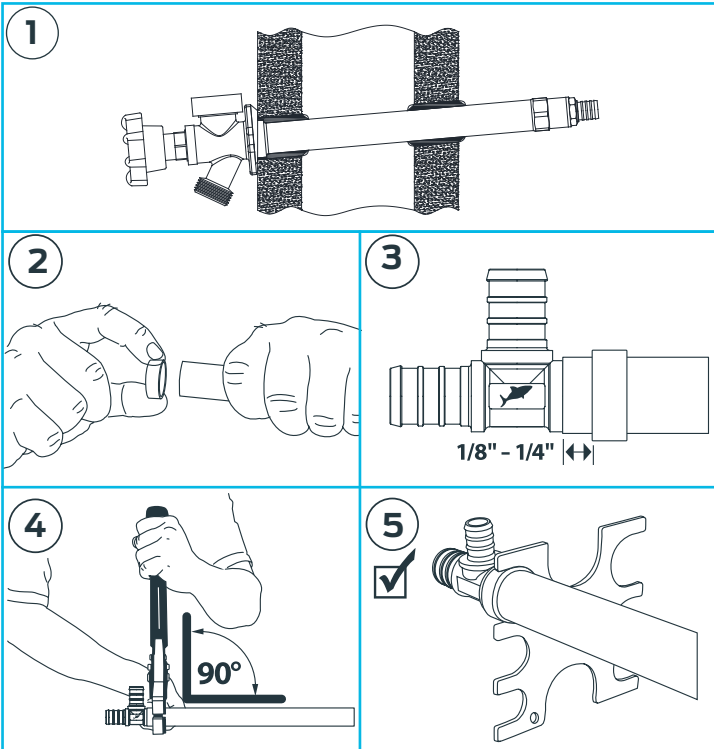
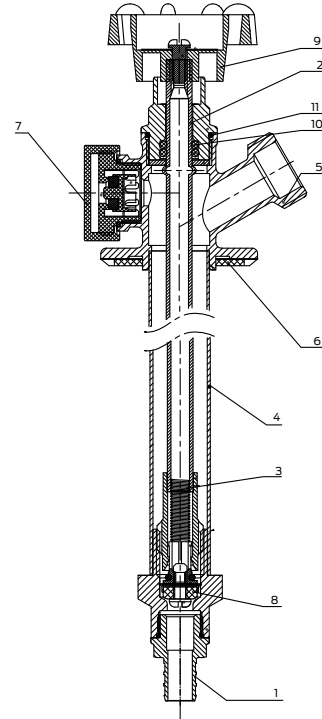
1	1/2" F1807 PEX Inlet Fitting	Lead free DZR Brass ¹
2	Stem Tube	Lead Free Brass
3	Spring	Stainless Steel
4	Body Tube	Chrome Plated Lead Free Brass ¹
5	Valve Body	Chrome Plated Lead Free Brass ¹
6	Siding Wedge	Polyacetal
7	Polymer cap	ABS
8	Seat Washer	EPDM
9	Multi-Turn Handle	Aluminum
10	Stem Seal	EPDM
11	Bonnet O-Ring	EPDM

¹ Lead Free for all models, surfaces that are in contact with consumable water contain less than 0.25% lead by weight

Installation Requirements

The faucet must be properly installed as detailed in the installation instructions in order for it to resist freeze damage. The inlet connection must be located in a building space that is maintained above freezing temperatures at all times. When this cannot be assured, the supply line to the faucet must be isolated and drained.

Warning: Remove Hose Prior to Freezing Temperatures to Prevent Damage.



#UC24628LFZ

Dimensions

Description	Part #	A	B	C	D	E	F	G	H	I	J	K
1/2" PEX, 8" Frost-Free Sillock	UC24628LFZ	13.53	0.88	1.83	8	3.7	3.15	1.09	2.01	1.96	2.28	Ø.20
1/2" PEX, 12" Frost-Free Sillock	UC24636LFZ	17.53	0.88	1.83	12	3.7	3.15	1.09	2.01	1.96	2.28	Ø.20
Vacuum Breaker Repair Kit	25759											
Stem Repair Kit 8" Frost-Free Sillock	25751											
Stem Repair Kit 12" Frost-Free Sillock	25753											

Pipe Type

PEX pipe complying with ASTM F876 and CSA B137.5, and PE-RT pipe complying with ASTM F2769.

Codes and Standards

SharkBite Frost-Free Sillcocks are approved for use in all national and local codes in the US and Canada.

Certified and listed to the following standards:

ASSE 1019

Performance Requirements for Wall Hydrant with Backflow Protection and Freeze Resistance

ASME A112.18.1/CSA B125.1

Plumbing Supply Fittings

NSF/ANSI/CAN 61

Drinking Water System Components – Health Effects

NSF/ANSI/CAN 372

Drinking Water Components – Lead Content



Water Capacity Chart

