



Product Submittal	
Name	
Date	
Architect/Owner	
Contractor	
Tag	
Notes	

Angle Stop with Brushed Nickel Finish

Specification Sheet

Description

Typically used on stub-outs coming out of the wall. Used to control and shut off water flow to fixtures or appliances for maintenance and repair. Innovative design with 1/2 in. push-to-connect inlet makes for quick installation and quarter-turn, full-port brass ball valve makes for easy operation. Ideal for working in tight spaces. Faster install time and ease of use reduces installation errors.

Features And Benefits

- Brushed nickel finish for an attractive appearance.
- Quarter-turn, full-port brass ball valve.
- Compatible with PEX, copper, CPVC, PE-RT and HDPE pipe.
- No special tools, crimping, glue or soldering is needed.
- Can be installed in wet lines.
- Ideal for working in tight spaces.
- Remove using a Disconnect Clip or Disconnect Tongs (both sold separately).



Specification Data

Materials	
Valve body	DZR LF brass
Handle	Zinc
Valve ball	DZR LF brass
Seat	PTFE
O-ring	EPDM
Grab Ring	SST 316
Tuber Liner	Polysulfone

Temperature Performance

- Minimum working temperature 33°F
- Maximum working temperature 160°F
- Maximum working pressure is 125 psi

Flow Rate

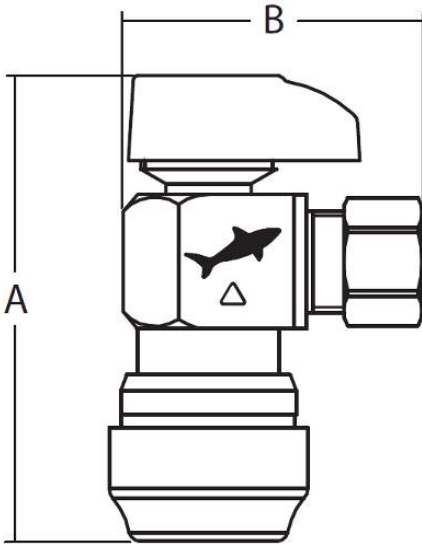
- 3/8" Compression 4.0 GPM at 20 psi

Part Listing

- 23036LFBNZ 1/2 in. SB x 3/8 in. OD Brushed Nickel Angle Stop

Dimensions

Part Number	DIM A (IN)	DIM B (IN)
23036LFBN	1.18	2.59



Codes and Listing

cUPC
ASME A112.18.1
CSA B125.1
NSF/ANSI/CAN 61
NSF/ANSI 372

