

SharkBite™

Poly Reducing Tee

SharkBite™ expansion fittings are designed for use with PEX-a tubing and must be used in conjunction with SharkBite expansion rings. SharkBite expansion fittings have a 25-year system warranty when used with SharkBite PEX-a tubing.

Approved Applications

Residential and commercial potable water, recirculation, reclaimed water systems, hydronic heating/cooling (up to 100% glycol concentration) and direct burial.

Specification Data

Materials

Body PPSU

Performance

Max Working Pressure

80 psi	at	200°F
100 psi	at	180°F
160 psi	at	73.4°F

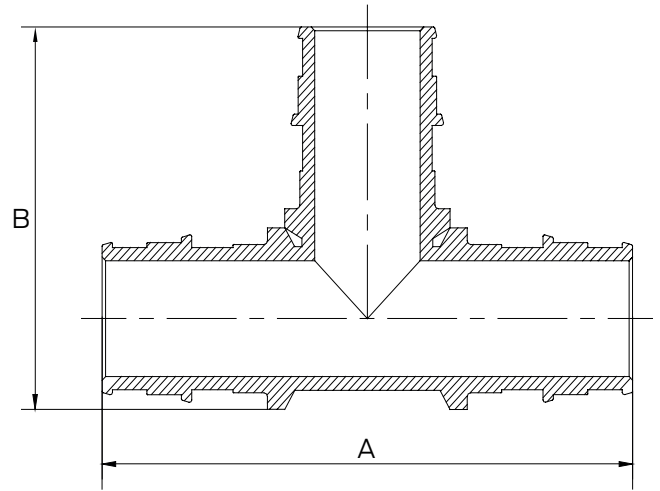
Minimum Length of Pipe Connecting Two Fittings

Fittings/Pipe Size	Min. Length	Insertion Depth
1/2 in.	4 in.	0.72 in.
3/4 in.	5-1/2 in.	0.97 in.
1 in.	7 in.	1.19 in.

Certifications & Listings

ASTM F1960, ASTM F877, CSA B137.5, NSF/ANSI 14, NSF/ANSI/CAN 61, NSF/ANSI/CAN 372, ASTM E84, CAN/ULC S102.2, ASTM E119, CAN/ULC S101

For listing information, please contact Customer Service.



Dimensions (inches)

Part #	Size	A	B
UA412	3/4" x 3/4" x 1/2"	3.14	1.96
UA415	1" x 1" x 1/2"	3.54	2.14
UA416	1" x 1" x 3/4"	3.77	2.34
UA454	3/4" x 1/2" x 1/2"	3.3	1.98

Product Submittal

Name	
Date	
Architect/Owner	
Contractor	
Tag	
Notes	