

# SharkBite® Barb Manifold Systems with Shut-off Valves

## DESCRIPTION

The SharkBite® Manifold System allows individual hot and cold lines to be connected directly to fixtures creating the ability to turn off water supply to individual fixtures from a central location. Available with 12, and 24, ports, these manifolds allow virtually endless variations when routing SharkBite® PEX Pipe in a water distribution system.

## FEATURES AND BENEFITS

Smaller Diameter Piping Needed:

*Easier piping runs to each fixture.*

Lower Installation Cost:

*Opportunity to eliminate all fittings between the manifold and the outlet.*

Design certified and agency listed:

*Inspector friendly, peace of mind!*

Centrally located shut-off location:

*Allows user to turn off water supply to one location rather than whole house.*

Direct run to fixture:

*Quicker delivery of hot & cold water to outlets.*

More stable pressure to each fixture when operating simultaneous.

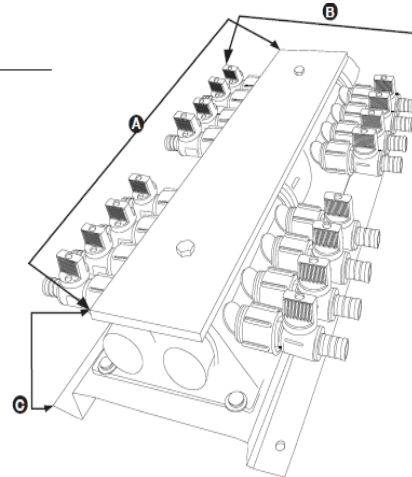
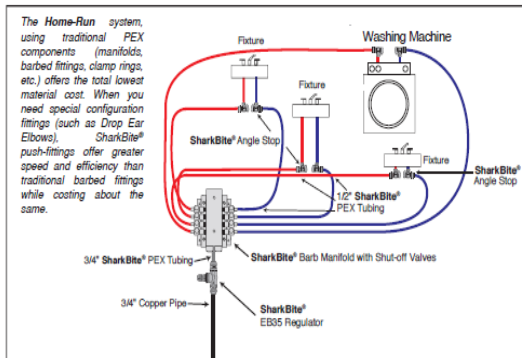
## SPECIFICATION

A SharkBite Manifold System shall be installed into a SharkBite® PEX Pipe system allowing hot and cold lines to be connected directly to multiple fixtures while providing the ease of centrally located individual shut-off valves. The manifold shall have a Polysulfone body and housing, brass ball valves, and a steel mounting plate. The manifold shall be approved in accordance to NSF.



# SharkBite® Barb Manifold Systems with Shut-off Valves

## TYPICAL INSTALLATION



## SPECIFICATION DATA

### Performance:

Max Working Pressure: 100 PSI

Max Working Temperature: 180° F

### Materials:

Manifold Body and Housing: Udel Polysulfone (PLS)

Mounting Plate: Steel

Manifold Ball Valves: Brass or Poly

Port #	Description	A	B	C
RM22712	2 - 3/4" Inlets x 12 1/2" Brass Valve Outlets	14.25	7	3.25
RM22724	2 - 3/4" Inlets x 24 1/2" Brass Valve Outlets	24.75	7	3.25
PM012UP	2 - 3/4" Inlets x 12 1/2" Poly Valve Outlets	14.25	7	3.25
PM024UP	2 - 3/4" Inlets x 24 1/2" Poly Valve Outlets	24.75	7	3.25

## AVAILABLE CONNECTIONS

Inlet: 3/4" Male thread connection

Outlets: 1/2" ASTM F1807 PEX connection

Outlets: 1/2" ASTM F2159 PEX connection

## CERTIFICATIONS

The SharkBite® Barb Manifold Systems with Shut-off Valves are NSF listed to the ASTM F877 and CSA B137.5 product standard. The SharkBite® Barb Manifold Systems with Shut-off Valves are also certified to the NSF/ANSI NSF 61.